

N-type Mono-crystalline Silicon Bifacial Solar Cell

MSPVLM2B5 20.00-23.00

Product Characteristics

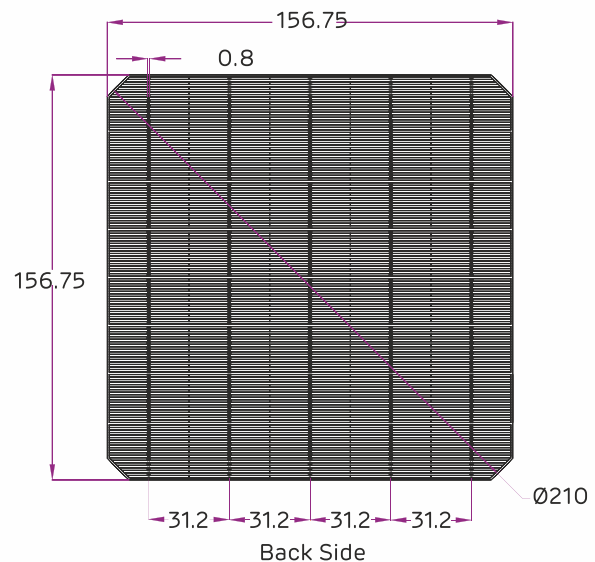
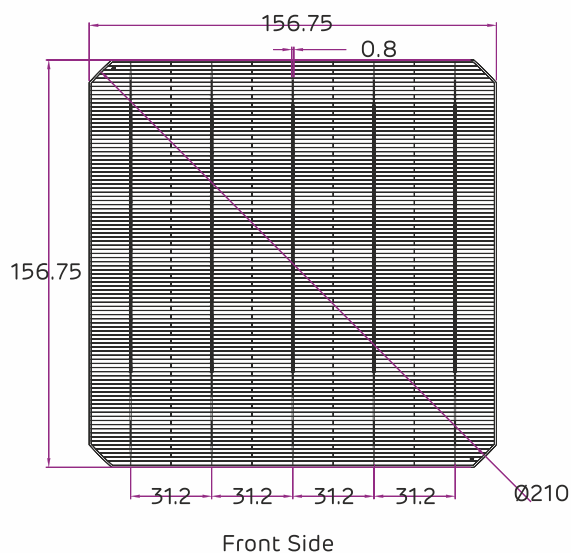
- High conversion efficiency with high reliability
- No light-induced degradation
- Uniform cell performance with stable process control
- Both sides can generate electricity
- Cells up to 85% Bifaciality
- Low mismatch of cell performance during encapsulation
- Excellent power generation performance under low irradiation
- Low hotspot effect
- Perfect appearance and colour uniformity

Quality Control

- Proper inspection through incoming production
Outgoing and packaging
- Efficiency tested within $\pm 0.1\%$ accuracy
- 100% checked for reverse current and visual appearance
- Reference cell calibrated from Fraunhofer
- ISO 9001, ISO 14001 and OHSAS 18001 certified by TUV NORD
- Soldering peel strength ≥ 1.0 N/mm Bus Bar width
- Only positive power tolerance binning

Cell layout

(Dimensions in mm)



Technical Data

Electric Performance

Class	Efficiency Range (%)	Rated Power (Wp)	*Maximum Power Current (A)	*Short Circuit Current (A)	*Maximum Power Voltage (V)	*Open Circuit Voltage (V)
A-195	19.5-19.6	4.76	8.965	9.557	0.532	0.640
A-196	19.6-19.7	4.79	8.988	9.559	0.533	0.641
A-197	19.7-19.8	4.81	9.000	9.566	0.535	0.642
A-198	19.8-19.9	4.84	9.013	9.570	0.537	0.643
A-199	19.9-20.0	4.86	9.024	9.574	0.539	0.644
A-200	20.0-20.1	4.89	9.038	9.575	0.541	0.645
A-201	20.1-20.2	4.91	9.045	9.578	0.543	0.646
A-202	20.2-20.3	4.94	9.053	9.583	0.546	0.647
A-203	20.3-20.4	4.96	9.071	9.586	0.548	0.648
A-204	20.4-20.5	4.98	9.083	9.589	0.550	0.649
A-205	20.5-20.6	5.01	9.095	9.593	0.552	0.650
A-206	20.6-20.7	5.03	9.107	9.596	0.554	0.651
A-207	20.7-20.8	5.06	9.119	9.600	0.556	0.652
A-208	20.8-20.9	5.08	9.132	9.603	0.558	0.653
A-209	20.9-21.0	5.11	9.144	9.606	0.560	0.654
A-210	21.0-22.0	5.13	9.156	9.610	0.563	0.655

Test condition: 1000 W/m², AM 1.5, 25°C; Power measuring tolerance: ±1.5% rel. Above data reference is for front side only.

Physical Characteristics

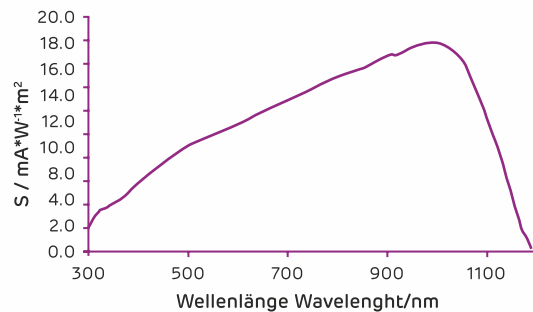
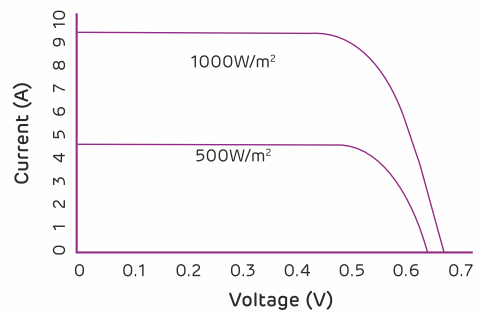
Dimension	156.75mmx156.75mm±0.25mm, Φ210mm±0.25mm;
Cell Thickness	190µm±20µm
Front side	0.8mm wide Bus Bars, Silicon nitride anti-reflection coating
Back side	0.8mm wide Bus Bars, Silicon nitride coating

Temperature Coefficients

Current Temperature Coefficient	+0.048%/K
Voltage Temperature Coefficient	-0.32 %/K
Power Temperature Coefficient	-0.40%/K

Light Intensity Dependence

Intensity(W/m2)	Vmpp(%)	Impp(%)
1000	100	100
900	99.8	90.2
500	98.1	50.3
300	96.5	30.2
200	95.1	20.1



Packaging

Minimizes the risk of broken cells with special design
Label with product information

Note:

The specifications included in this datasheet are subject to change without notice. Adani Solar reserves the right for the final interpretation of all figures reported in this document.

